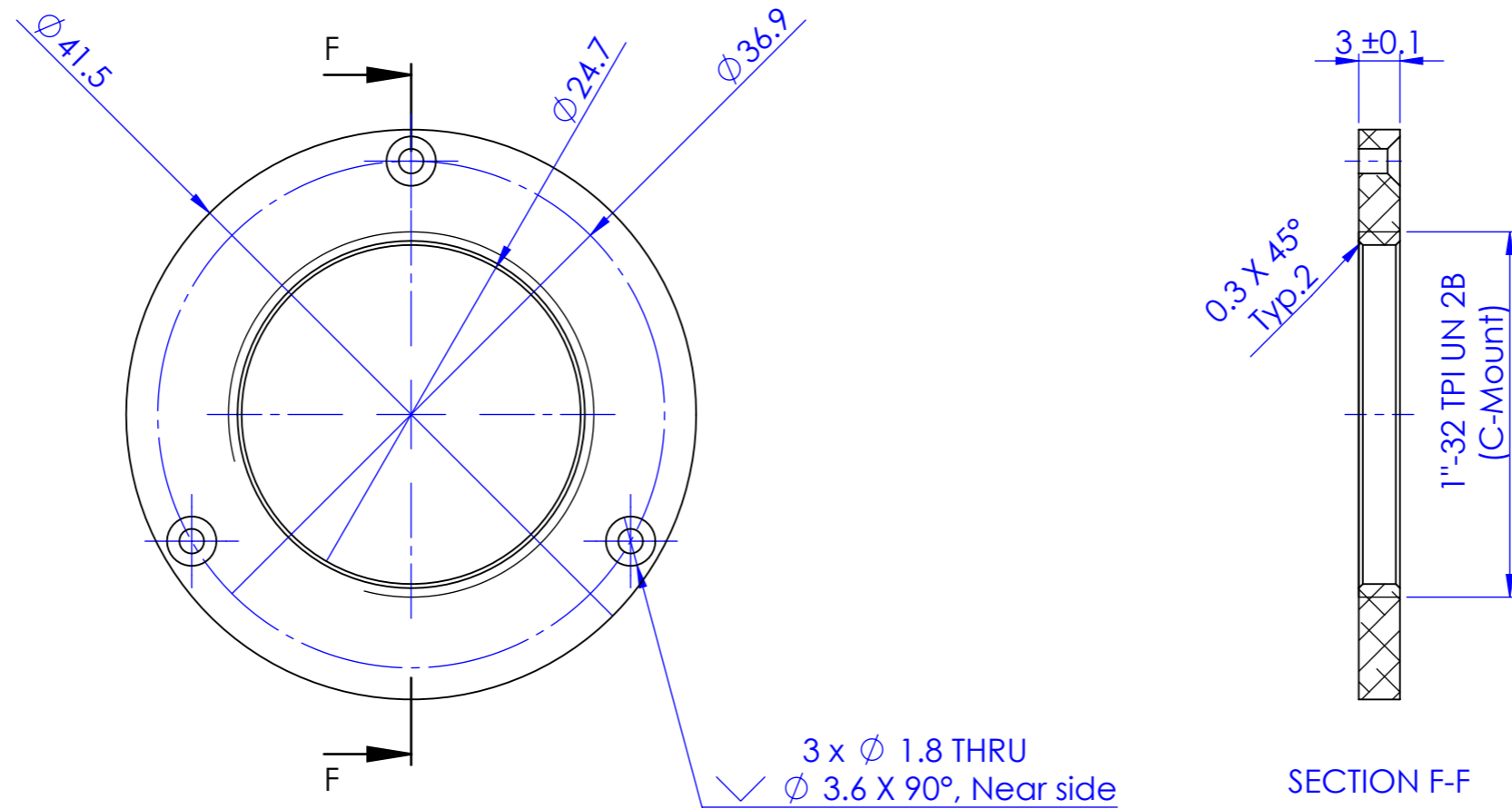


6839-LBD-T-30-Ring

This drawing and information herein is proprietary to Acktar Ltd. and shall not be disclosed except in accordance with its written permission

REVISIONS				
REV.	DESCRIPTION	ECO No	APPROVED	DATE

3.2



3 x Ø 1.8 THRU  
 ✓ Ø 3.6 X 90°, Near side

SECTION F-F

NOTES.

- 1.REMOVE ALL BURRS AND SHARP EDGES.
- 2.NO SCRATCHES, DINTS, SURFACE ASPERITIES AND OTHER VISIBLE SURFACE DEFECTS ARE ALLOWED.
- 3.HARD BLACK ANODIZE

TOLERANCES UNLESS OTHERWISE SPECIFIED (ISO 2768)			DWG NO. <b>6839-LBD-T-30-Ring</b>				
OVER INCL			DO NOT SCALE DRAWING				
0	6	± 0.1	CH.	LIST	N.DOCUMENT	SIGNAT.	DATE
6	30	± 0.2					
30	120	± 0.3	DRAWN		Noam		20-May-19
120	315	± 0.5	CHECKED		Peter		
315	1000	± 0.8	TECHNOLOG				
	ANGLE	±1	MANUFACT.				
			Approved By				
			DESIGNED				
			MATERIAL: <b>6061 Alloy</b>				
			NAME: <b>Ring</b> TITLE: LIST 1      LISTS 1 <b>Acktar Ltd.</b> 19 Topaz St., P.O.Box 8643 Kiryat Gat 8213513, Israel Tel: 972-8-6814213 Fax: 972-8-6810198 Email: noam.sherr@acktar.com				
			LIT.      MASS      SCALE: 6.97 g.				